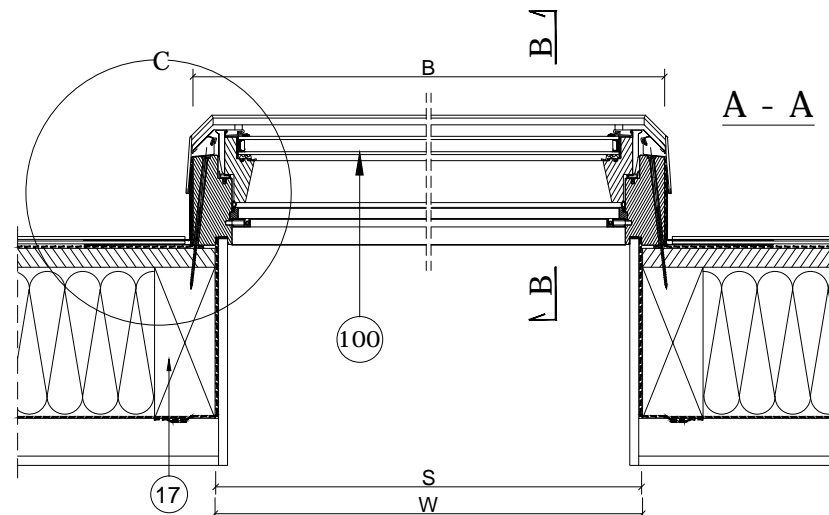
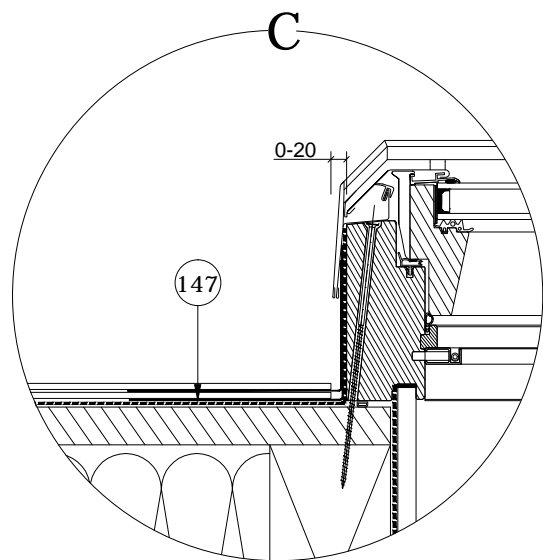
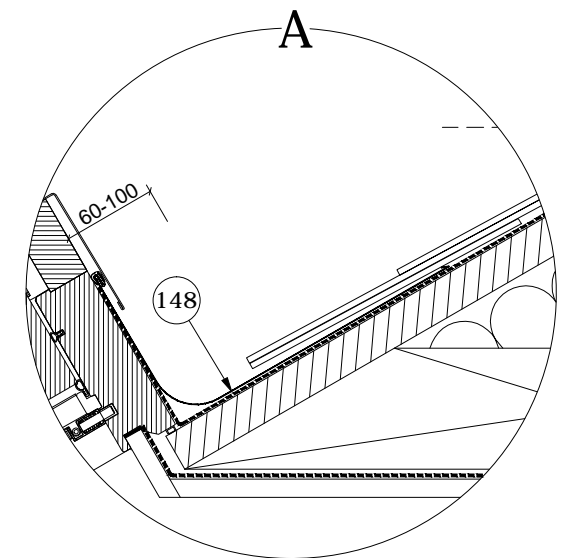


B - B



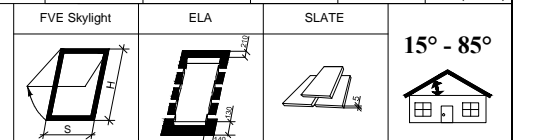
A - A

ELECTRIC OPENING SKYLIGHT FVE

Frame width B[mm]	Frame height L[mm]	Rough opening WxR[mm]	Dimension SxK[mm]	Size
623	699	568x678	564x673	301 (24/27)
	978	568x957	564x952	304 (24/38)
	1178	568x1157	564x1152	306 (24/46)
	1397	568x1376	564x1371	308 (24/55)
	1797	568x1776	564x1771	312 (27/70)
826	788	771x767	767x762	502 (32/31)
	978	771x957	767x952	504 (32/38)
	1178	771x1157	767x1152	506 (32/46)
	1397	771x1376	767x1371	508 (32/55)
	1797	771x1776	767x1771	512 (35/70)
1232	699	1177x678	1173x673	801 (48/27)
	1178	1177x1157	1173x1152	806 (48/46)

- 17-rafter
- 100-FVE electrically operated, opening Skylight FAKRO
- 147-ELA FAKRO flashing side element
- 148-ELA FAKRO flashing upper element
- 149-ELA FAKRO flashing lower element

FAKRO



Vertical and horizontal cross-sections:
FVE opening Skylight with flashing ELA
for flat tiled roofs

FORMAT A3
SCALE 1:10/1:5
DATE 06.2015

Warning! The present drawing is for informational-demonstrative purposes only and as such cannot constitute a basis for performance. All dimensions presented in this drawing should be verified on site. Because of the fact that the drawing is a schematic one, FAKRO shall not assume any responsibility for the actual installation quality on the roof. This drawing is FAKRO's property and cannot be published or used publicly without our written consent.