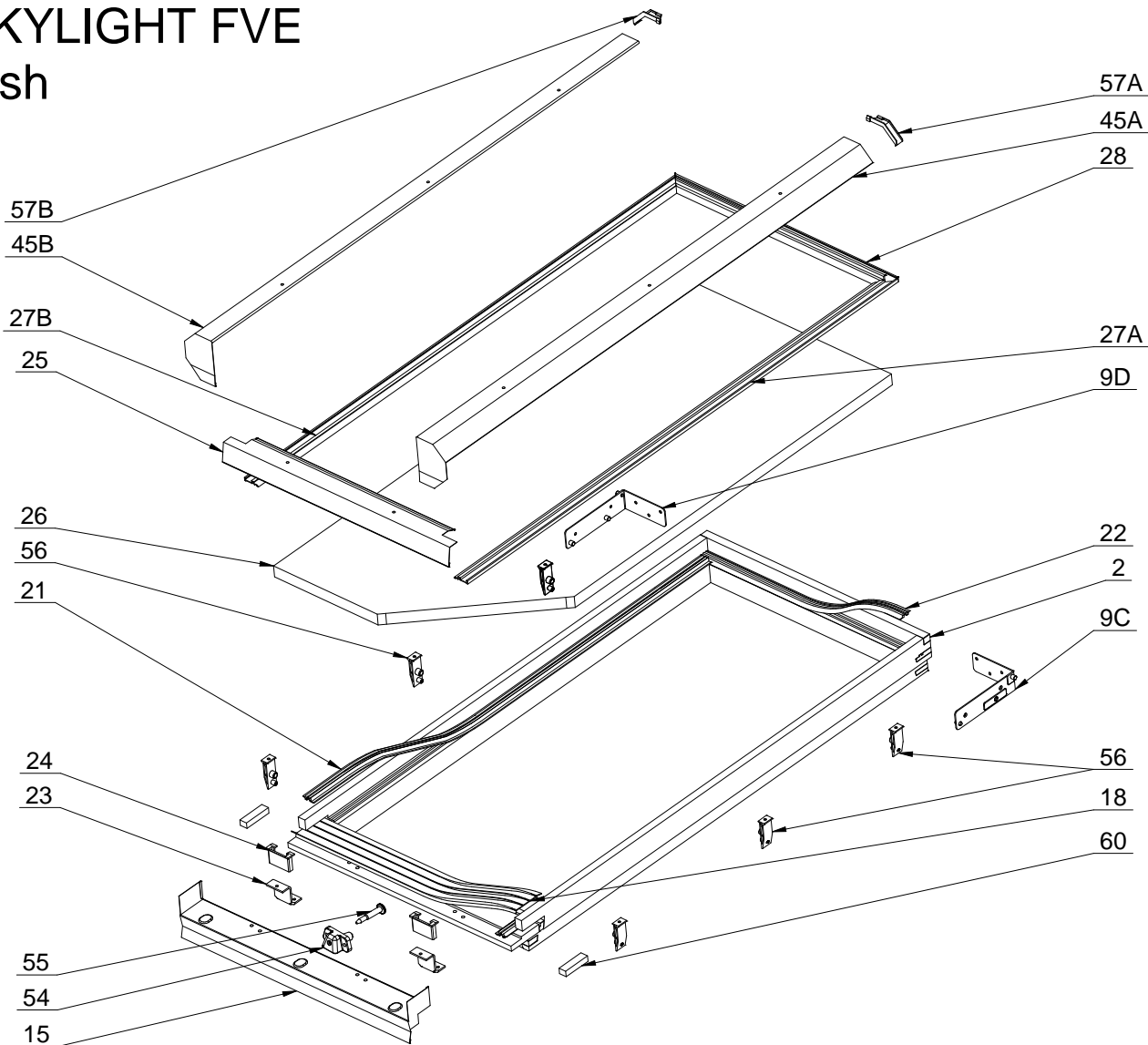
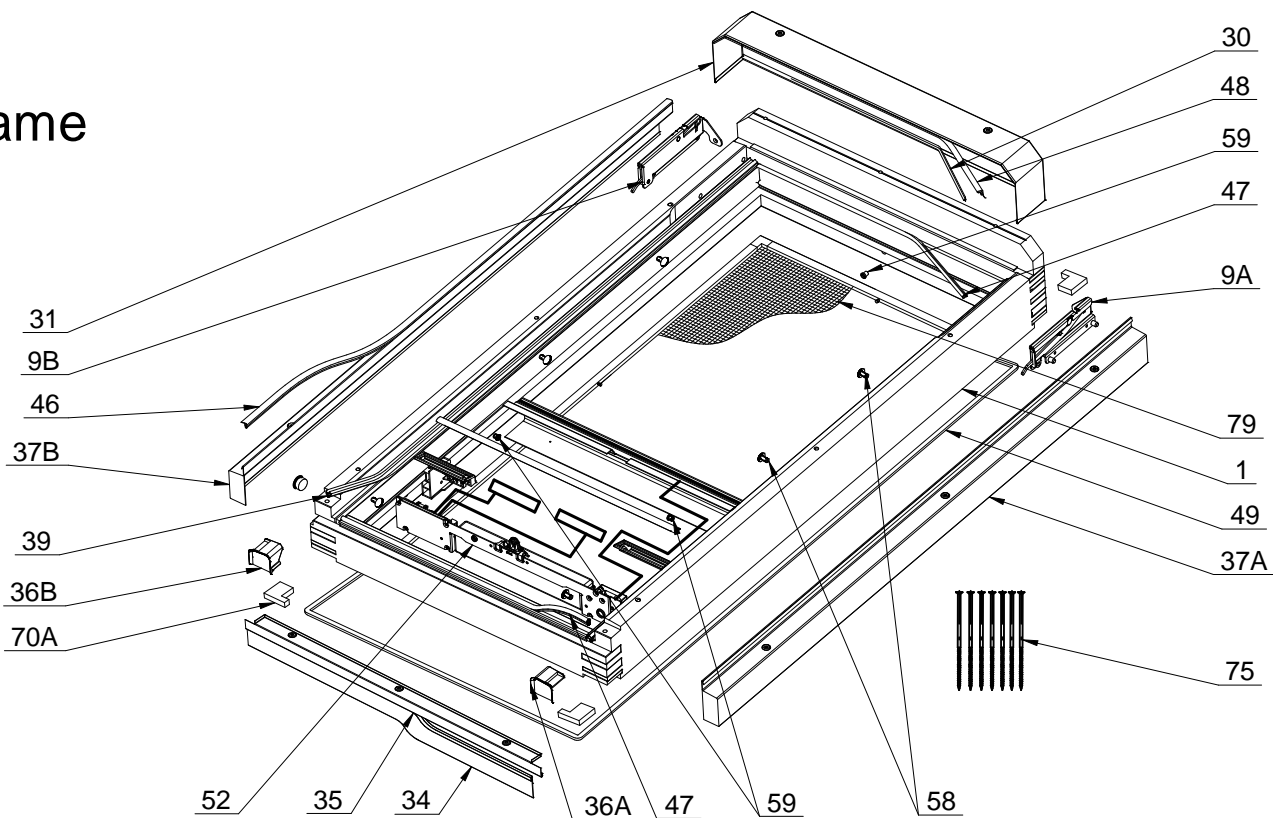


# SKYLIGHT FVE

## Sash



## Frame



<b>FVE electric vented skylights</b>			
Part number	Part description	Quantity per	Material
1	Wooden frame	1	Pressure treated pine timber
2	Wooden sash	1	Pressure treated pine timber
9A	Frame hinge left	1	Galvanised steel
9B	Frame hinge right	1	Galvanised steel
9C	Sash hinge left	1	Galvanised steel
9D	Sash hinge right	1	Galvanised steel
15	Sash bottom covering profile	1	Aluminium
18	Bottom condensation gasket	1	EPDM
21	Glazing side gasket	2	EPDM
22	Glazing top gasket	1	EPDM
23	Sash bottom glazing bracket	2	Galvanised steel
24	Glazing bracket washer	2	Polyamide
25	Sash bottom glass holing profile	1	Aluminium
26	Glazing unit	1	-
27A	Glazing profile left	1	Aluminium
27B	Glazing profile right	1	Aluminium
28	Top glazing profile	1	Aluminium
31	Top covering profile	1	Aluminium
34	Frame bottom profile gasket	1	EPDM
35	Frame bottom covering profile	1	Aluminium
36A	Frame plug left	1	TPE
36B	Frame plug right	1	TPE
37A	Frame side covering profile left	1	Aluminium
37B	Frame side covering profile right	1	Aluminium
39	Frame side gasket BC800	2	TPE
45A	Sash covering profile left	1	Aluminium
45B	Sash covering profile right	1	Aluminium
46	Side covering profile gasket BC500	2	EPDM
47	Bottom or top frame gasket BC800	5	TPE
48	Top covering profile gasket BC900	1	EPDM
49	Perimeter gasket	1	EPDM
52	Remote control system	1	Galvanised steel
54	Chain socket	1	by producer
55	Screw	1	by producer
56	Mount of covering profile	4 - 6	Polyamide
57A	Sash side covering profile cap left	1	Polyamide
57B	Sash side covering profile cap right	1	Polyamide
58	Plug	2 - 4	Nylon
59	Mosquito screen plug	3 - 4	Nylon
60	Plug insertion	2	Polyethylene foam
70A	Frame corner seals	2	Polyethylene foam
75	Mounitng screws 6x200mm	5 - 7	Galvanised steel
79	Mosquito net	1	Fiberglass PVC covered

